

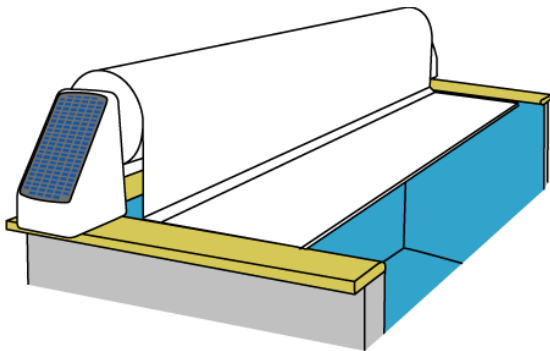


# Aesthetic solutions

Top mount without housing

For existing or renovation pools

**Aesthetic, reliable, safe**



*The automatic cover is mounted on the edge  
at the end of the swimming pool*

An AquaTop slat cover will keep your pool cleaner and safer and at the same time it will help you maintain the water temperature. A huge added value when used properly.

Not only the practical aspect is of importance. The aesthetic finishing is just as crucial. After all, a swimming pool remains a place for people to unwind and dream away.

EcoTop is the result of a search for proven T&A quality at an interesting price.



**Automatic cover for an existing pool**

# Installation at construction or when renovating

## Solar power, for a simple and swift installation

The cover is placed on the terrace at the end of the swimming pool. Thanks to a solar power version, the cover can be installed without prior preparation. In that case the slat cover is provided with a white case holding a solar panel. The version without solar panel only needs a low voltage cable between the support and the technical area. The cover is operated with a key switch mounted on a console. EcoTop is the ideal solution for installing a slat cover without affecting the structure of your pool or terrace.



AquaTop offers you an aesthetic finishing thanks to a wide range of designs.

The slat cover is installed on the edge of the swimming pool with a support on both sides. A limit switch comes as a standard feature with all AquaTop covers to guarantee the motor turning off once the cover is fully opened/closed.

A solar powered slat cover will give you the advantage of an effortless installation.

## Child safety – NF P 90-308

The AquaTop cover meets the legal requirements for swimming pool safety and therefore complies with the norm NF P 90-308. In closed position it is important to secure the cover using the safety buckles on both sides of the cover (one side for installations with a bench). When used correctly, one can meet the weight resistance goal of 100 kgs



T&A offers slat covers that comply with the norm NF P 90-308 of the LNE.

### Technics & Applications

Klaus Michael Kuehnelaan 9  
B-2440 GEEL – Belgique  
Tel : + 32 14 23 74 95 – Fax + 32 14 23 74 96  
Agence France : 0 810 36 24 99 (appel local)  
Info@aquatop.be

[www.t-and-a.be](http://www.t-and-a.be)

The wireless remote control, PVC solar slats, transparent slats and the use of slats on infinity pools do not meet the requirements for this norm. Your installer can guide you through the alternatives to comply to the legal norms.